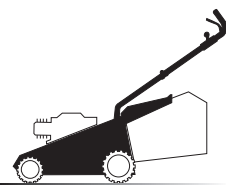
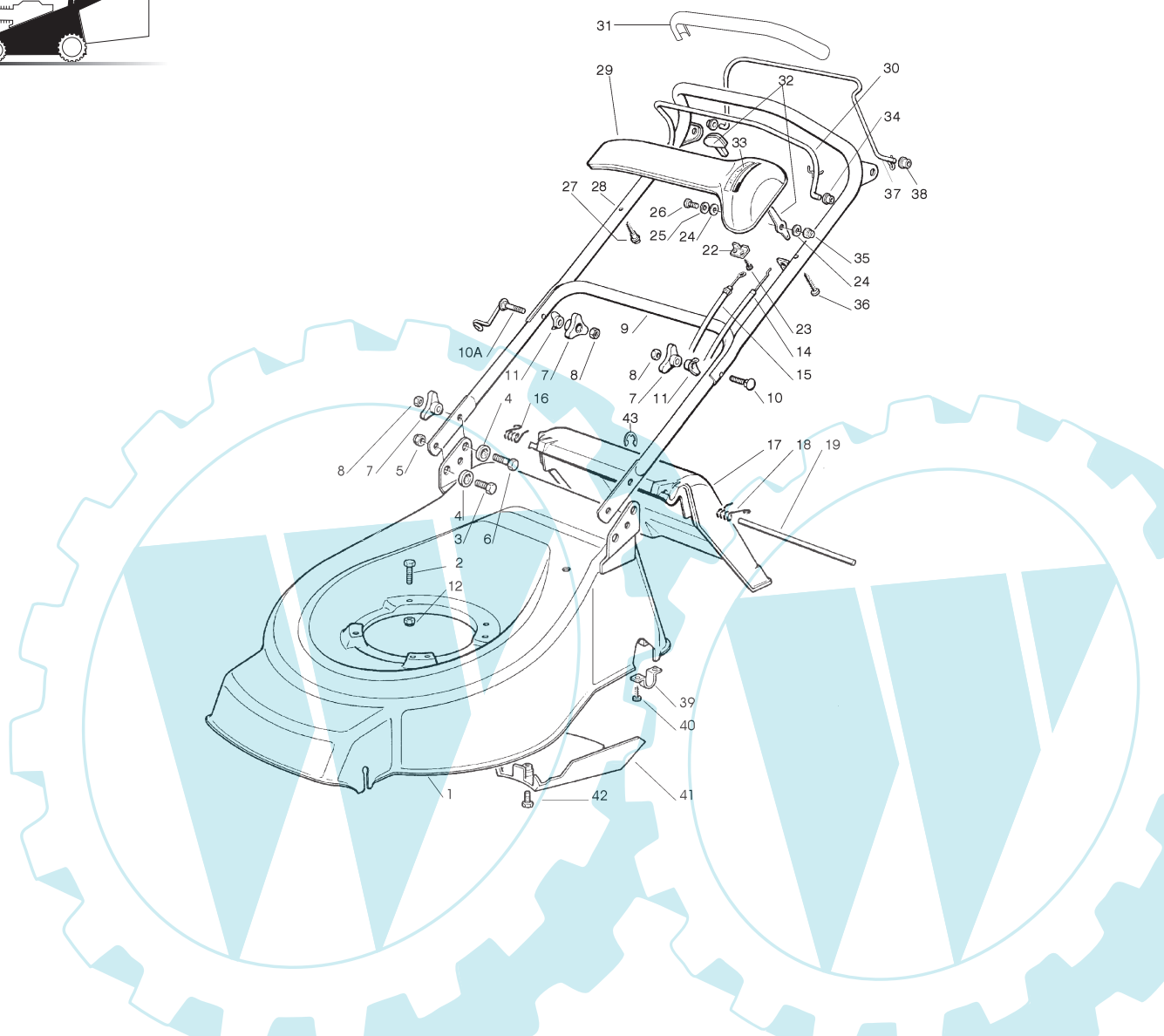


# 01T.026

1



01D.026



- H 350
- K 350
- K 390
- C 350
- C 390
- NG 410 / 410 S
- NG 460
- NG 414
- NG 464
- NG 464 TR
- NG 464 TR-E
- NG 504
- NG 504 TR
- NG 504 TR-E
- R 430 / 430 S
- R 480
- R 430 TR
- R 434
- R 484
- R 534
- R 484 TR / TR-E
- R 534 TR / TR-E
- RL 430 / 430 S
- RL 480
- RL 430 TR
- RL 434
- RL 484
- RL 534
- RL 484 TR
- RL 484 TR-E
- RL 534 TR
- RL 534 TR-E
- TD 430 / 430 S
- TD 480
- TD 430 TR
- TD 434
- TD 484
- TD 534
- TD 484 TR
- TD 484 TR-E
- TD 534 TR
- TD 534 TR-E
- TDL 430 / 430 S
- TDL 480
- TDL 430 TR
- TDL 434
- TDL 484
- TDL 534
- TDL 484 TR
- TDL 484 TR-E
- TDL 534 TR
- TDL 534 TR-E
- CA 430
- CA 480
- CA 434
- CA 484
- CA 534
- CA 430 TR
- CA 434 TR
- CA 484 TR / TR-E
- CA 534 TR / TR-E
- CAL 430
- CAL 480
- CAL 434
- CAL 484
- CAL 534
- CAL 430 TR
- CAL 434 TR
- CAL 484 TR / TR-E
- CAL 534 TR / TR-E
- T 430 / 430 S
- T 480
- T 434
- T 484
- T 484 TR
- T 484 TR-E
- PAN 504
- PAN 504 TR
- PAN 504 TR-E
- PAN 504 TR-E 3S
- PAN 504 TR 3S
- NP 534
- NP 534 TR
- NP 534 TR-E
- NP 534 TR 3S
- NP 534 TR-E 3S
- S 474 L

01T.026

| Pos | Code        | Q.ty | Descrizione             | Description        | Description                  | Beschreibung     |              |
|-----|-------------|------|-------------------------|--------------------|------------------------------|------------------|--------------|
| 1   | 81001648/ 0 | 1    | CHASSIS ROSSO           | DECK RED           | CHÂSSIS ROUGE                | GEHÄUSE ROTES    | TDL 484 TR   |
| -   | 81001649/ 0 | 1    | CHASSIS GIALLO          | DECK YELLOW        | CHÂSSIS JAUNE                | GEHÄUSE GELBES   | TDL 484 TR   |
| -   | 81001650/ 0 | 1    | CHASSIS VERDE           | DECK GREEN         | CHÂSSIS VERT                 | GEHÄUSE GRÜNES   | TDL 484 TR   |
| -   | 81001666/ 0 | 1    | CHASSIS ROSSO           | DECK RED           | CHÂSSIS ROUGE                | GEHÄUSE ROTES    | TDL 484 TR-E |
| -   | 81001667/ 0 | 1    | CHASSIS GIALLO          | DECK YELLOW        | CHÂSSIS JAUNE                | GEHÄUSE GELBES   | TDL 484 TR-E |
| -   | 81001668/ 0 | 1    | CHASSIS VERDE           | DECK GREEN         | CHÂSSIS VERT                 | GEHÄUSE GRÜNES   | TDL 484 TR-E |
| -   | 81001747/ 1 | 1    | CHASSIS ROSSO           | DECK RED           | CHÂSSIS ROUGE                | GEHÄUSE ROTES    | TDL 534 TR   |
| -   | 81001748/ 1 | 1    | CHASSIS GIALLO          | DECK YELLOW        | CHÂSSIS JAUNE                | GEHÄUSE GELBES   | TDL 534 TR   |
| -   | 81001749/ 1 | 1    | CHASSIS VERDE           | DECK GREEN         | CHÂSSIS VERT                 | GEHÄUSE GRÜNES   | TDL 534 TR   |
| -   | 81001750/ 1 | 1    | CHASSIS ROSSO           | DECK RED           | CHÂSSIS ROUGE                | GEHÄUSE ROTES    | TDL 534 TR-E |
| -   | 81001751/ 1 | 1    | CHASSIS GIALLO          | DECK YELLOW        | CHÂSSIS JAUNE                | GEHÄUSE GELBES   | TDL 534 TR-E |
| -   | 81001752/ 1 | 1    | CHASSIS VERDE           | DECK GREEN         | CHÂSSIS VERT                 | GEHÄUSE GRÜNES   | TDL 534 TR-E |
| 2   | 12691800/ 0 | 0/ 1 | VITE (M8X60)            | SCREW (M8X60)      | VIS (M8X60)                  | SCHRAUBE (M8X60) |              |
| -   | 12793700/ 0 | 3/ 2 | VITE (M8X30)            | SCREW (M8X30)      | VIS (M8X30)                  | SCHRAUBE (M8X30) |              |
| 3   | 12792610/ 0 | 2    | VITE                    | SCREW              | VIS                          | SCHRAUBE         |              |
| 4   | 22041955/ 0 | 4    | BUSSOLA                 | BUSH               | DOUILLE                      | BUCHSE           |              |
| 5   | 12155000/ 0 | 2    | DADO                    | NUT                | ECROU                        | MUTTER           |              |
| 6   | 12793700/ 0 | 2    | VITE (M8X30)            | SCREW (M8x30)      | VIS (M8x30)                  | SCHRAUBE (M8x30) |              |
| 7   | 22399900/ 0 | 4    | MANOPOLINA              | KNOB               | POIGNÉE                      | GRIFF            |              |
| 8   | 12293200/ 0 | 4    | DADO                    | NUT                | ECROU                        | MUTTER           |              |
| 9   | 81006512/ 0 | 1    | MANICO, PARTE INFERIORE | HANDLE, LOWER PART | MANCHERON, PARTIE INFÉRIEURE | HOLM, UNTERTEIL  |              |
| 10  | 12819201/ 0 | 1    | VITE                    | SCREW              | VIS                          | SCHRAUBE         |              |
| 10A | 81003801/ 0 | 1    | MOLLA GUIDA             | SPRING             | RESSORT                      | FEDER            |              |
| 11  | 22680006/ 1 | 2    | RONDELLA                | WASHER             | RONDELLE                     | SCHEIBE          |              |
| 12  | 12155000/ 0 | 0/ 1 | DADO                    | NUT                | ECROU                        | MUTTER           |              |
| -   | 12293201/ 0 | 3/ 2 | DADO                    | NUT                | ECROU                        | MUTTER           |              |

1

2

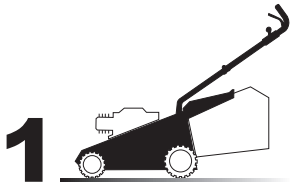
3

4

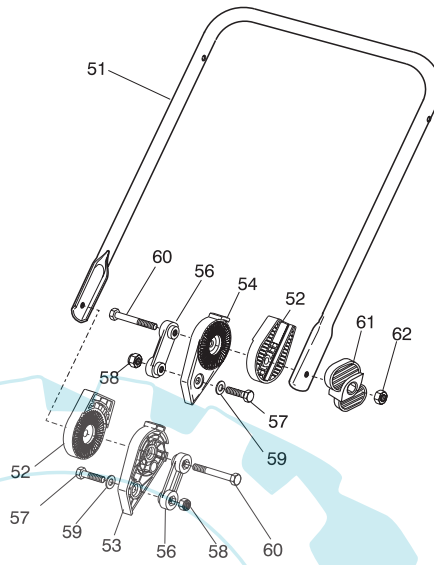
5

6

|    |            |   |                           |                           |                              |                         |                              |                   |
|----|------------|---|---------------------------|---------------------------|------------------------------|-------------------------|------------------------------|-------------------|
| 14 | 81007160/0 | 1 | CAVO ACCELERATORE         | CABLE, TROTTLER           | CABLE, ACCELERATEUR          | KABEL, BESCHLEUNIGER    |                              | H 350             |
| 15 | 81000641/0 | 1 | CAVO FRENO MOTORE         | CABLE, THREAD MOTOR BRAKE | CABLE FREIN MOTEUR           | KABEL, MOTORBREMSE      | (HONDA GCV 135/160) TDL 484  | K 350             |
| -  | 81000640/0 | 1 | CAVO FRENO MOTORE         | CABLE, THREAD MOTOR BRAKE | CABLE FREIN MOTEUR           | KABEL, MOTORBREMSE      | (HONDA GCV 135/160) TDL 534  | K 390             |
| -  | 81000638/0 | 1 | CAVO FRENO MOTORE         | CABLE, THREAD MOTOR BRAKE | CABLE FREIN MOTEUR           | KABEL, MOTORBREMSE      | (HONDA GCV 100) TDL 484      | C 350             |
| -  | 81000631/0 | 1 | CAVO FRENO MOTORE         | CABLE, THREAD MOTOR BRAKE | CABLE FREIN MOTEUR           | KABEL, MOTORBREMSE      | (QUANTUM XIM-ES 40) TDL 484  | C 390             |
| -  | 81000642/0 | 1 | CAVO FRENO MOTORE         | CABLE, THREAD MOTOR BRAKE | CABLE FREIN MOTEUR           | KABEL, MOTORBREMSE      | (QUANTUM XIM-ES 40) TDL 534  | NG 410 / 410 S    |
| -  | 81000625/0 | 1 | CAVO FRENO MOTORE         | CABLE, THREAD MOTOR BRAKE | CABLE FREIN MOTEUR           | KABEL, MOTORBREMSE      | (SPRINT 375/QUATTRO) TDL 484 | NG 460            |
| -  | 81000643/0 | 1 | CAVO FRENO MOTORE         | CABLE, THREAD MOTOR BRAKE | CABLE FREIN MOTEUR           | KABEL, MOTORBREMSE      | (SPRINT 375/QUATTRO) TDL 534 | NG 414            |
| -  | 81000629/1 | 1 | CAVO FRENO MOTORE         | CABLE, THREAD MOTOR BRAKE | CABLE FREIN MOTEUR           | KABEL, MOTORBREMSE      | (TECUMSEH) TDL 484           | NG 464            |
| -  | 81000644/0 | 1 | CAVO FRENO MOTORE         | CABLE, THREAD MOTOR BRAKE | CABLE FREIN MOTEUR           | KABEL, MOTORBREMSE      | (TECUMSEH) TDL 534           | NG 464 TR         |
| 16 | 22450410/1 | 1 | MOLLA DX                  | RIGHT SPRING              | RESSORT DROITE               | RECHTE FEDER            |                              | NG 464 TR-E       |
| 17 | 22600046/1 | 1 | PARASASSI                 | STONE-GUARD               | PARE-PIERRES                 | PRALLBLECH              |                              | NG 504            |
| 18 | 22450420/1 | 1 | MOLLA SX                  | LEFT SPRING               | RESSORT GAUCHE               | LINKE FEDER             |                              | NG 504 TR         |
| 19 | 22517906/1 | 1 | PERNO                     | PIN                       | PIVOT                        | BOLZEN                  |                              | NG 504 TR-E       |
| 22 | 22981467/0 | 1 | PIASTRINA                 | PLATE                     | PLAQUETTE                    | PLATTE                  |                              | R 430 / 430 S     |
| 23 | 12735105/0 | 2 | VITE                      | SCREW                     | VIS                          | SCHRAUBE                |                              | R 480             |
| 24 | 12523040/0 | 2 | RONDELLA                  | WASHER                    | RONDELLE                     | SCHEIBE                 |                              | R 430 TR          |
| 25 | 12530060/0 | 1 | RONDELLA ELASTICA         | ELASTIC WASHER            | RONDELLE ELASTIQUE           | ELASTISCHE SCHEIBE      |                              | R 434             |
| 26 | 12791500/0 | 1 | VITE                      | SCREW                     | VIS                          | SCHRAUBE                |                              | R 484             |
| 27 | 22943006/0 | 1 | VITE                      | SCREW                     | VIS                          | SCHRAUBE                |                              | R 534             |
| 28 | 81007024/0 | 1 | MANICO, PARTE SUPERIORE   | HANDLE, UPPER PART        | MANCHERON, PARTIE SUPERIEURE | HOLM, OBERTEIL          |                              | R 484 TR / TR-E   |
| 29 | 22120158/0 | 1 | CRUSCOTTO NERO            | DASH BOARD BLACK          | CONSOLE NOIRE                | KONSOLE SCHWARZE        |                              | R 534 TR / TR-E   |
| -  | 22120154/0 | 1 | CRUSCOTTO ROSSO           | DASH BOARD RED            | CONSOLE ROUGE                | KONSOLE ROTE            |                              | RL 430 / 430 S    |
| -  | 22120152/0 | 1 | CRUSCOTTO GIALLO          | DASH BOARD YELLOW         | CONSOLE JAUNE                | KONSOLE GELBE           |                              | RL 480            |
| 30 | 81003291/2 | 1 | LEVA FRENO MOTORE         | LEVER, MOTOR BRAKE        | LEVIER FREIN MOTEUR          | HEBEL, MOTORBREMSE      |                              | RL 430 TR         |
| 31 | 22291050/0 | 1 | IMPUGNATURA MANICO NERO   | HANDGRIPBLACK             | POIGNÉE NOIRE                | HANDGRIFF SCHWARZER     |                              | RL 434            |
| -  | 22291051/0 | 1 | IMPUGNATURA MANICO ROSSO  | HANDGRIP RED              | POIGNÉE ROUGE                | HANDGRIFF RÖTER         |                              | RL 484            |
| -  | 22291052/0 | 1 | IMPUGNATURA MANICO GIALLO | HANDGRIP YELLOW           | POIGNÉE JAUNE                | HANDGRIFF GELBER        |                              | RL 534            |
| 32 | 81007280/2 | 1 | LEVA, ACCELERATORE        | LEVER, THROTTLE           | LEVIER, ACCELERATEUR         | HEBEL, BESCHLEUNIGER    |                              | RL 484 TR         |
| 33 | 14356744/0 | 1 | ETICHETTA                 | LABEL                     | ETIQUETTE                    | ETIKETTE                | (B&S)                        | RL 484 TR-E       |
| 33 | 14356743/0 | 1 | ETICHETTA                 | LABEL                     | ETIQUETTE                    | ETIKETTE                | (TECUMSEH - HONDA)           | RL 534 TR         |
| 34 | 22041966/0 | 1 | BUSSOLA                   | BUSH                      | DOUILLE                      | BUCHSE                  |                              | RL 534 TR-E       |
| 35 | 12154510/0 | 1 | DADO                      | NUT                       | ECROU                        | MUTTER                  |                              | TD 430 / 430 S    |
| 36 | 12728460/0 | 1 | VITE                      | SCREW                     | VIS                          | SCHRAUBE                |                              | TD 480            |
| 37 | 81003288/1 | 1 | LEVA TRAZIONE             | LEVER, DRIVING            | LEVIER TRACTION              | HEBEL, ANTRIEB          |                              | TD 430 TR         |
| 38 | 22041965/0 | 2 | BUSSOLA                   | BUSH                      | DOUILLE                      | BUCHSE                  |                              | TD 434            |
| 39 | 22545152/0 | 2 | PIASTRINA                 | PLATE                     | PLAQUETTE                    | PLATTE                  |                              | TD 484            |
| 40 | 12731350/0 | 4 | VITE                      | SCREW                     | VIS                          | SCHRAUBE                |                              | TD 534            |
| 41 | 22060192/0 | 1 | CARTER CINGHIA            | PROTECTION, BELT          | PROTECTION COURROIRE         | SCHUTZ, RIEMEN          | TDL 484                      | TD 484 TR         |
| -  | 22060193/0 | 1 | CARTER CINGHIA            | PROTECTION, BELT          | PROTECTION COURROIRE         | SCHUTZ, RIEMEN          | TDL 484 TR                   | TD 484 TR-E       |
| -  | 22060193/0 | 1 | CARTER CINGHIA            | PROTECTION, BELT          | PROTECTION COURROIRE         | SCHUTZ, RIEMEN          | TDL 484 TR-E                 | TD 534 TR         |
| 42 | 12727791/0 | 1 | VITE                      | SCREW                     | VIS                          | SCHRAUBE                |                              | TD 534 TR-E       |
| 43 | 12000930/0 | 1 | ANELLO ELASTICO           | SNAP RING                 | ANNEAU RESSORT               | SPRENGRING              |                              | TDL 430 / 430 S   |
| -  | 81008614/1 |   | DOTAZIONE VITERIA         | OUTFIT, SCREWS            | DOTATION VISSERIE            | SATZ, SCHRAUBEN         |                              | TDL 480           |
| -  | 81008609/0 |   | DOTAZ VITERIA CRUSCOTTO   | OUTFIT, DASH-BOARD SCREWS | DOTATION VISSERIE CONSOLE    | SATZ, KONSOLE SCHRAUBEN |                              | TDL 430 TR        |
|    |            |   |                           |                           |                              |                         |                              | TDL 434           |
|    |            |   |                           |                           |                              |                         |                              | TDL 484           |
|    |            |   |                           |                           |                              |                         |                              | TDL 534           |
|    |            |   |                           |                           |                              |                         |                              | TDL 484 TR        |
|    |            |   |                           |                           |                              |                         |                              | TDL 484 TR-E      |
|    |            |   |                           |                           |                              |                         |                              | TDL 534 TR        |
|    |            |   |                           |                           |                              |                         |                              | TDL 534 TR-E      |
|    |            |   |                           |                           |                              |                         |                              | CA 430            |
|    |            |   |                           |                           |                              |                         |                              | CA 480            |
|    |            |   |                           |                           |                              |                         |                              | CA 434            |
|    |            |   |                           |                           |                              |                         |                              | CA 484            |
|    |            |   |                           |                           |                              |                         |                              | CA 534            |
|    |            |   |                           |                           |                              |                         |                              | CA 430 TR         |
|    |            |   |                           |                           |                              |                         |                              | CA 434 TR         |
|    |            |   |                           |                           |                              |                         |                              | CA 484 TR / TR-E  |
|    |            |   |                           |                           |                              |                         |                              | CA 534 TR / TR-E  |
|    |            |   |                           |                           |                              |                         |                              | CAL 430           |
|    |            |   |                           |                           |                              |                         |                              | CAL 480           |
|    |            |   |                           |                           |                              |                         |                              | CAL 434           |
|    |            |   |                           |                           |                              |                         |                              | CAL 484           |
|    |            |   |                           |                           |                              |                         |                              | CAL 534           |
|    |            |   |                           |                           |                              |                         |                              | CAL 430 TR        |
|    |            |   |                           |                           |                              |                         |                              | CAL 434 TR        |
|    |            |   |                           |                           |                              |                         |                              | CAL 484 TR / TR-E |
|    |            |   |                           |                           |                              |                         |                              | CAL 534 TR / TR-E |
|    |            |   |                           |                           |                              |                         |                              | T 430 / 430 S     |
|    |            |   |                           |                           |                              |                         |                              | T 480             |
|    |            |   |                           |                           |                              |                         |                              | T 434             |
|    |            |   |                           |                           |                              |                         |                              | T 484             |
|    |            |   |                           |                           |                              |                         |                              | T 484 TR          |
|    |            |   |                           |                           |                              |                         |                              | T 484 TR-E        |
|    |            |   |                           |                           |                              |                         |                              | PAN 504           |
|    |            |   |                           |                           |                              |                         |                              | PAN 504 TR        |
|    |            |   |                           |                           |                              |                         |                              | PAN 504 TR-E      |
|    |            |   |                           |                           |                              |                         |                              | PAN 504 TR-E 3S   |
|    |            |   |                           |                           |                              |                         |                              | PAN 504 TR 3S     |
|    |            |   |                           |                           |                              |                         |                              | NP 534            |
|    |            |   |                           |                           |                              |                         |                              | NP 534 TR         |
|    |            |   |                           |                           |                              |                         |                              | NP 534 TR-E       |
|    |            |   |                           |                           |                              |                         |                              | NP 534 TR 3S      |
|    |            |   |                           |                           |                              |                         |                              | NP 534 TR-E 3S    |
|    |            |   |                           |                           |                              |                         |                              | S 474 L           |



01D.004



VARIANTE REGOLAZIONE MANICO - HANDLE ADJUSTMENT VARIANT - VARIANTE REGLAGE POIGNEE - GRIFFENSTEELVARIANTE

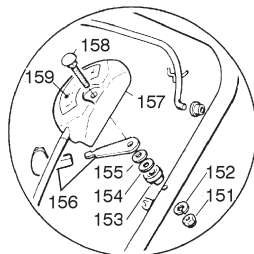
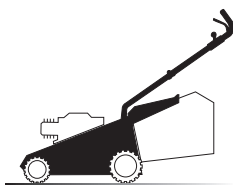
| Pos | Code       | Q.ty | Descrizione             | Description             | Description                  | Beschreibung          |
|-----|------------|------|-------------------------|-------------------------|------------------------------|-----------------------|
| 51  | 81006510/0 | 1    | MANICO, PARTE INFERIORE | HANDLE, LOWER PART      | MANCHERON, PARTIE INFERIEURE | HOLM, UNTERTEIL       |
| 52  | 22785081/0 | 2    | SUPPORTO ESTERNO        | SUPPORT, EXTERNAL       | SUPPORT EXTERNE              | HALTER, AUßERE        |
| 53  | 22785082/0 | 1    | SUPPORTO INTERNO DX     | SUPPORT, RIGHT INTERNAL | SUPPORT INTERNE DROIT        | HALTER, INNERE RECHTS |
| 54  | 22785083/1 | 1    | SUPPORTO INTERNO SX     | SUPPORT, LEFT INTERNAL  | SUPPORT INTERNE GAUCHE       | HALTER, INNERE LINKS  |
| 56  | 22551575/0 | 2    | PIASTRINA INTERNA       | PLATE, INSIDE           | PLAQUETTE INTERNE            | PLATTE, INNERE        |
| 57  | 12793701/0 | 2    | VITE                    | SCREW                   | VIS                          | SCHRAUBE              |
| 58  | 12155000/0 | 2    | DADO                    | NUT                     | ECROU                        | MUTTER                |
| 59  | 12521350/0 | 2    | RONDELLA                | WASHER                  | RONDELLE                     | SCHEIBE               |
| 60  | 12691810/0 | 2    | VITE                    | SCREW                   | VIS                          | SCHRAUBE              |
| 61  | 22399803/0 | 2    | MANOPOLINA              | KNOB                    | POIGNÉE                      | GRIFF                 |
| 62  | 12293202/0 | 2    | DADO                    | NUT                     | ECROU                        | MUTTER                |
| -   | 81008623/0 | 1    | DOTAZIONE VITERIA       | OUTFIT, SCREWS          | DOTATION VISSERIE            | SATZ, SCHRAUBEN       |

01T.004

- H 350
- K 350
- K 390
- C 350
- C 390
- NG 410 / 410 S
- NG 460
- NG 414
- NG 464
- NG 464 TR
- NG 464 TR-E
- NG 504
- NG 504 TR
- NG 504 TR-E
- R 430 / 430 S
- R 480
- R 430 TR
- R 434
- R 484
- R 534
- R 484 TR / TR-E
- R 534 TR / TR-E
- RL 430 / 430 S
- RL 480
- RL 430 TR
- RL 434
- RL 484
- RL 534
- RL 484 TR
- RL 484 TR-E
- RL 534 TR
- RL 534 TR-E
- TD 430 / 430 S
- TD 480
- TD 430 TR
- TD 434
- TD 484
- TD 534
- TD 484 TR
- TD 484 TR-E
- TD 534 TR
- TD 534 TR-E
- TDL 430 / 430 S
- TDL 480
- TDL 430 TR
- TDL 434
- TDL 484
- TDL 534
- TDL 484 TR
- TDL 484 TR-E
- TDL 534 TR
- TDL 534 TR-E
- CA 430
- CA 480
- CA 434
- CA 484
- CA 534
- CA 430 TR
- CA 434 TR
- CA 484 TR / TR-E
- CA 534 TR / TR-E
- CAL 430
- CAL 480
- CAL 434
- CAL 484
- CAL 534
- CAL 430 TR
- CAL 434 TR
- CAL 484 TR / TR-E
- CAL 534 TR / TR-E
- T 430 / 430 S
- T 480
- T 434
- T 484
- T 484 TR
- T 484 TR-E
- PAN 504
- PAN 504 TR
- PAN 504 TR-E
- PAN 504 TR-E 3S
- PAN 504 TR 3S
- NP 534
- NP 534 TR
- NP 534 TR-E
- NP 534 TR 3S
- NP 534 TR-E 3S
- S 474 L

1  
2  
3  
4  
5  
6

1



01D.005

01T.005

VARIANTE ACCELERATORE - THROTTLE VARIANTS - VARIANTES COMMANDE D'ACCELERATION - ÄNDERUNGEN AUF GASHEBEL

| Pos | Code       | Q.ty | Descrizione        | Description     | Description          | Beschreibung              |
|-----|------------|------|--------------------|-----------------|----------------------|---------------------------|
| 151 | 12291000/0 | 1    | DADO               | NUT             | ECROU                | MUTTER                    |
| 152 | 12581500/0 | 1    | GROWER             | GROWER          | GROWER               | FEDERRING                 |
| 153 | 22171005/0 | 1    | DISTANZIALE        | SPACER          | ENTRETOISE           | DISTANZRING               |
| 154 | 12521360/0 | 1    | RONDELLA           | WASHER          | RONDELLE             | SCHEIBE                   |
| 155 | 12508100/0 | 1    | RONDELLA ELASTICA  | SPRING WASHER   | RONDELLE ELASTIQUE   | ELASTISCHE SCHEIBE        |
| 156 | 81007279/1 | 1    | LEVA, ACCELERATORE | LEVER, THROTTLE | LEVIER, ACCELERATEUR | HEBEL, BESHLEUNIGER       |
| 157 | 81007080/0 | 1    | CAVO ACCELERATORE  | CABLE, TROTTLE  | CABLE, ACCELERATEUR  | KABE, BESCHLEUNIGER       |
| 158 | 12815000/0 | 1    | VITE               | SCREW           | VIS                  | SCHRAUBE                  |
| 159 | 14356703/0 | 1    | ETICHETTA          | LABEL           | ETIQUETTE            | ETIKETTE (B&S)            |
| -   | 14356702/0 | 1    | ETICHETTA          | LABEL           | ETIQUETTE            | ETIKETTE (TECUMSEH-HONDA) |

- H 350
- K 350
- K 390
- C 350
- C 390
- NG 410 / 410 S
- NG 460
- NG 414
- NG 464
- NG 464 TR
- NG 464 TR-E
- NG 504
- NG 504 TR
- NG 504 TR-E
- R 430 / 430 S
- R 480
- R 430 TR
- R 434
- R 484
- R 534
- R 484 TR / TR-E
- R 534 TR / TR-E
- RL 430 / 430 S
- RL 480
- RL 430 TR
- RL 434
- RL 484
- RL 534
- RL 484 TR
- RL 484 TR-E
- RL 534 TR
- RL 534 TR-E
- TD 430 / 430 S
- TD 480
- TD 430 TR
- TD 434
- TD 484
- TD 534
- TD 484 TR
- TD 484 TR-E
- TD 534 TR
- TD 534 TR-E
- TDL 430 / 430 S
- TDL 480
- TDL 430 TR
- TDL 434
- TDL 484
- TDL 534
- TDL 484 TR
- TDL 484 TR-E
- TDL 534 TR
- TDL 534 TR-E
- CA 430
- CA 480
- CA 434
- CA 484
- CA 534
- CA 430 TR
- CA 434 TR
- CA 484 TR / TR-E
- CA 534 TR / TR-E
- CAL 430
- CAL 480
- CAL 434
- CAL 484
- CAL 534
- CAL 430 TR
- CAL 434 TR
- CAL 484 TR / TR-E
- CAL 534 TR / TR-E
- T 430 / 430 S
- T 480
- T 434
- T 484
- T 484 TR
- T 484 TR-E
- PAN 504
- PAN 504 TR
- PAN 504 TR-E
- PAN 504 TR-E 3S
- PAN 504 TR 3S
- NP 534
- NP 534 TR
- NP 534 TR-E
- NP 534 TR 3S
- NP 534 TR-E 3S
- S 474 L

1

2

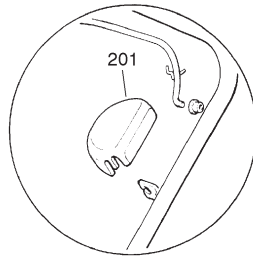
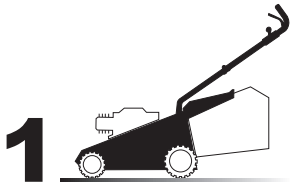
3

4

5

6

# 01T.006



01D.006

01T.006

VARIANTE REGIME FISSO - FIXED SPEED VARIANTS - VARIANTES POUR MODÈLE À REGIME FIXE - ÄNDERUNGEN FÜR MODELLE MIT FIXIERTER DREHZAHL

| Pos | Code        | Q.ty | Descrizione | Description | Description | Beschreibung |
|-----|-------------|------|-------------|-------------|-------------|--------------|
| 201 | 22601000/ 0 | -    | PROTEZIONE  | PROTECTION  | PROTECTION  | SCHUTZ       |

- H 350
- K 350
- K 390
- C 350
- C 390
- NG 410 / 410 S
- NG 460
- NG 414
- NG 464
- NG 464 TR
- NG 464 TR-E
- NG 504
- NG 504 TR
- NG 504 TR-E
- R 430 / 430 S
- R 480
- R 430 TR
- R 434
- R 484
- R 534
- R 484 TR / TR-E
- R 534 TR / TR-E
- RL 430 / 430 S
- RL 480
- RL 430 TR
- RL 434
- RL 484
- RL 534
- RL 484 TR
- RL 484 TR-E
- RL 534 TR
- RL 534 TR-E
- TD 430 / 430 S
- TD 480
- TD 430 TR
- TD 434
- TD 484
- TD 534
- TD 484 TR
- TD 484 TR-E
- TD 534 TR
- TD 534 TR-E
- TDL 430 / 430 S
- TDL 480
- TDL 430 TR
- TDL 434
- TDL 484
- TDL 534
- TDL 484 TR
- TDL 484 TR-E
- TDL 534 TR
- TDL 534 TR-E
- CA 430
- CA 480
- CA 434
- CA 484
- CA 534
- CA 430 TR
- CA 434 TR
- CA 484 TR / TR-E
- CA 534 TR / TR-E
- CAL 430
- CAL 480
- CAL 434
- CAL 484
- CAL 534
- CAL 430 TR
- CAL 434 TR
- CAL 484 TR / TR-E
- CAL 534 TR / TR-E
- T 430 / 430 S
- T 480
- T 434
- T 484
- T 484 TR
- T 484 TR-E
- PAN 504
- PAN 504 TR
- PAN 504 TR-E
- PAN 504 TR-E 3S
- PAN 504 TR 3S
- NP 534
- NP 534 TR
- NP 534 TR-E
- NP 534 TR 3S
- NP 534 TR-E 3S
- S 474 L

1

2

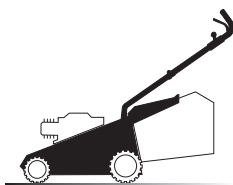
3

4

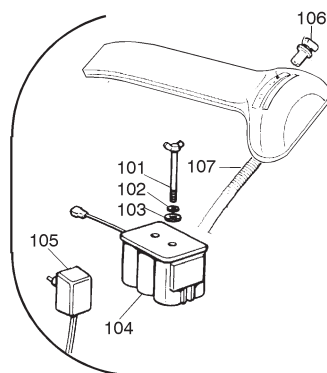
5

6

1



01D.008



VARIANTI PER AVVIAMENTO ELETTRICO - PARTS FOR ELECTIC START - COMPOSANTS POUR DÉMARRAGE ÉLECTRIQUE - ELEKTROSTART BESTANDTEILE

01T.008

| Pos | Code        | Q.ty | Descrizione     | Description     | Description          | Beschreibung |
|-----|-------------|------|-----------------|-----------------|----------------------|--------------|
| 101 | 22517855/ 0 | 2    | PERNO           | PIN             | PIVOT                | BOLZEN       |
| 102 | 12523000/ 0 | 2    | RONDELLA        | WASHER          | RONDELLE             | SCHEIBE      |
| 103 | 12540020/ 0 | 2    | RONDELLA        | WASHER          | RONDELLE             | SCHEIBE      |
| 104 | 18120050/ 0 | 1    | BATTERIA        | BATTERY         | BATTERIE             | BATTERIE     |
| 105 | 18204110/ 0 | 1    | CARICA BATTERIA | BATTERY CHARGER | CHARGEUR DE BATTERIE | LADGERÄT     |
| 106 | 18450050/ 0 | 1    | INTERRUTTORE    | SWITCH          | INTERRUPTEUR         | SCHALTER     |
| 107 | 18204190/ 2 | 1    | CAVO AVVIAMENTO | CABLE, START    | CABLE DÉMARRAGE      | KABEL, START |

- H 350
- K 350
- K 390
- C 350
- C 390
- NG 410 / 410 S
- NG 460
- NG 414
- NG 464
- NG 464 TR
- NG 464 TR-E
- NG 504
- NG 504 TR
- NG 504 TR-E
- R 430 / 430 S
- R 480
- R 430 TR
- R 434
- R 484
- R 534
- R 484 TR / TR-E
- R 534 TR / TR-E
- RL 430 / 430 S
- RL 480
- RL 430 TR
- RL 434
- RL 484
- RL 534
- RL 484 TR
- RL 484 TR-E
- RL 534 TR
- RL 534 TR-E
- TD 430 / 430 S
- TD 480
- TD 430 TR
- TD 434
- TD 484
- TD 534
- TD 484 TR
- TD 484 TR-E
- TD 534 TR
- TD 534 TR-E
- TDL 430 / 430 S
- TDL 480
- TDL 430 TR
- TDL 434
- TDL 484
- TDL 534
- TDL 484 TR
- TDL 484 TR-E
- TDL 534 TR
- TDL 534 TR-E
- CA 430
- CA 480
- CA 434
- CA 484
- CA 534
- CA 430 TR
- CA 434 TR
- CA 484 TR / TR-E
- CA 534 TR / TR-E
- CAL 430
- CAL 480
- CAL 434
- CAL 484
- CAL 534
- CAL 430 TR
- CAL 434 TR
- CAL 484 TR / TR-E
- CAL 534 TR / TR-E
- T 430 / 430 S
- T 480
- T 434
- T 484
- T 484 TR
- T 484 TR-E
- PAN 504
- PAN 504 TR
- PAN 504 TR-E
- PAN 504 TR-E 3S
- PAN 504 TR 3S
- NP 534
- NP 534 TR
- NP 534 TR-E
- NP 534 TR 3S
- NP 534 TR-E 3S
- S 474 L

1

2

3

4

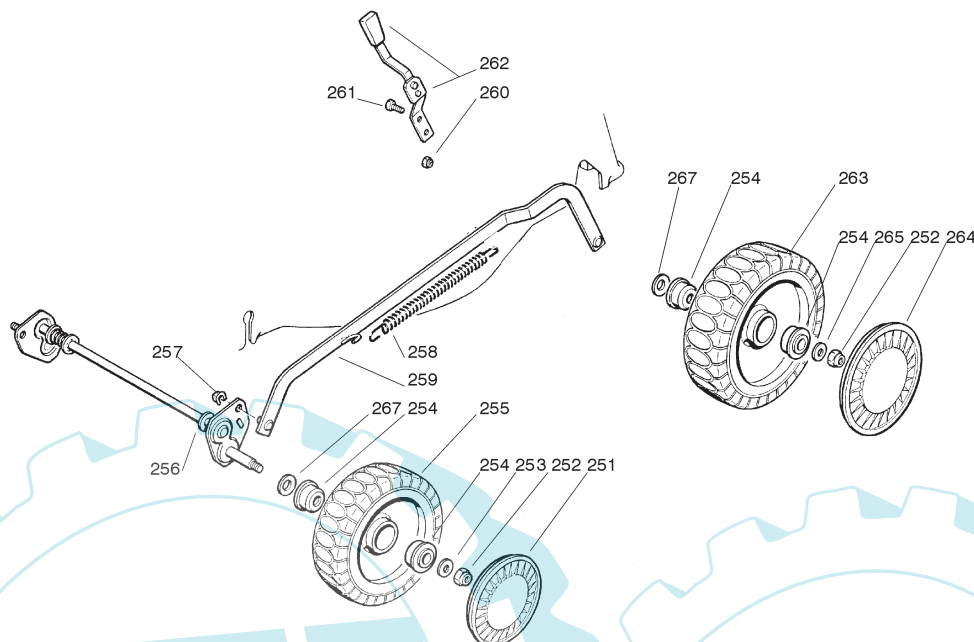
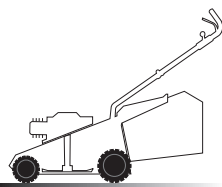
5

6



# 02T.015

2



02D.013

02T.015

| Pos | Code        | Q.ty | Descrizione                 | Description                    | Description                   | Beschreibung            |
|-----|-------------|------|-----------------------------|--------------------------------|-------------------------------|-------------------------|
| 251 | 22110282/ 0 | 2    | COPRIMOZZO BIANCO           | HUB CAP WHITE                  | COUVRE-MOYEU BLANC            | RADKAPPE WEIßE          |
| -   | 22110288/ 0 | 2    | COPRIMOZZO GIALLO           | HUB CAP YELLOW                 | COUVRE-MOYEU JAUNE            | RADKAPPE GELBE          |
| -   | 22110290/ 1 | 2    | COPRIMOZZO ROSSO            | HUB CAP RED                    | COUVRE-MOYEU ROUGE            | RADKAPPE ROTE           |
| 252 | 12155000/ 0 | 4    | DADO                        | NUT                            | ECROU                         | MUTTER                  |
| 253 | 12521350/ 0 | 2    | RONDELLA                    | WASHER                         | RONDELLE                      | SCHEIBE                 |
| 254 | 22122200/ 0 | 8    | CUSCINETTO                  | BEARING                        | COUSSINET                     | LAGER                   |
| 255 | 81007336/ 0 | 2    | RUOTA SCOLPITA Ø 170        | WHEEL, KNOBBLY Ø 170           | ROUE SCULPTEE Ø 170           | RAD M. STOLLENPR. Ø 170 |
| 256 | 81001274/ 1 | 1    | ASSE RUOTE ANTERIORE        | AXLE, FRONT WHEELS             | AXE ROUES AVANT               | ACHSE, VORDERRAD        |
| -   | 81001223/ 1 | 1    | ASSE RUOTE ANTERIORE        | AXLE, FRONT WHEELS             | AXE ROUES AVANT               | ACHSE, VORDERRAD        |
| 257 | 12436050/ 0 | 2    | PIASTRINA                   | PLATE                          | PLAQUETTE                     | PLÄTTCHEN               |
| 258 | 22446180/ 0 | 1    | MOLLA                       | SPRING                         | RESSORT                       | FEDER                   |
| 259 | 81001276/ 0 | 1    | ASTA COMANDO REGOL. ALTEZZA | CONTROL ROD, HEIGHT ADJUSTMENT | TIGE COMMANDE REGLAGE HAUTEUR | STANGE, HÖHEVERSTELLUNG |
| -   | 81001264/ 0 | 1    | ASTA COMANDO REGOL. ALTEZZA | CONTROL ROD, HEIGHT ADJUSTMENT | TIGE COMMANDE REGLAGE HAUTEUR | STANGE, HÖHEVERSTELLUNG |
| 260 | 12154330/ 0 | 2    | DADO                        | NUT                            | ECROU                         | MUTTER                  |
| 261 | 12789000/ 0 | 2    | VITE                        | SCREW                          | VIS                           | SCHRAUBE                |
| 262 | 81003279/ 2 | 1    | LEVA REGOLAZIONE ALTEZZA    | LEVER, HEIGHT ADJUSTMENT       | LEVIER, REGLAGE HAUTEUR       | HEBEL, HÖHEVERSTELLUNG  |
| 263 | 81007337/ 0 | 2    | RUOTA SCOLPITA Ø 210        | WHEEL, KNOBBLY Ø 210           | ROUE SCULPTEE Ø 210           | RAD M. STOLLENPR. Ø 210 |
| 264 | 22110287/ 0 | 2    | COPRIMOZZO GIALLO           | HUB CAP YELLOW                 | COUVRE-MOYEU JAUNE            | RADKAPPE GELBE          |
| -   | 22110281/ 0 | 2    | COPRIMOZZO BIANCO           | HUB CAP WHITE                  | COUVRE-MOYEU BLANC            | RADKAPPE WEIßE          |
| -   | 22110289/ 0 | 2    | COPRIMOZZO ROSSO            | HUB CAP RED                    | COUVRE-MOYEU ROUGE            | RADKAPPE ROTE           |
| 265 | 12369500/ 0 | 2    | RONDELLA                    | WASHER                         | RONDELLE                      | SCHEIBE                 |

- H 350
- K 350
- K 390
- C 350
- C 390
- NG 410 / 410 S
- NG 460
- NG 414
- NG 464
- NG 464 TR
- NG 464 TR-E
- NG 504
- NG 504 TR
- NG 504 TR-E
- R 430 / 430 S
- R 480
- R 430 TR
- R 434
- R 484
- R 534
- R 484 TR / TR-E
- R 534 TR / TR-E
- RL 430 / 430 S
- RL 480
- RL 430 TR
- RL 434
- RL 484
- RL 534
- RL 484 TR
- RL 484 TR-E
- RL 534 TR
- RL 534 TR-E
- TD 430 / 430 S
- TD 480
- TD 430 TR
- TD 434
- TD 484
- TD 534
- TD 484 TR
- TD 484 TR-E
- TD 534 TR
- TD 534 TR-E
- TDL 430 / 430 S
- TDL 480
- TDL 430 TR
- TDL 434
- TDL 484
- TDL 534
- TDL 484 TR
- TDL 484 TR-E
- TDL 534 TR
- TDL 534 TR-E
- CA 430
- CA 480
- CA 434
- CA 484
- CA 534
- CA 430 TR
- CA 434 TR
- CA 484 TR / TR-E
- CA 534 TR / TR-E
- CAL 430
- CAL 480
- CAL 434
- CAL 484
- CAL 534
- CAL 430 TR
- CAL 434 TR
- CAL 484 TR / TR-E
- CAL 534 TR / TR-E
- T 430 / 430 S
- T 480
- T 434
- T 484
- T 484 TR
- T 484 TR-E
- PAN 504
- PAN 504 TR
- PAN 504 TR-E
- PAN 504 TR-E 3S
- PAN 504 TR 3S
- NP 534
- NP 534 TR
- NP 534 TR-E
- NP 534 TR 3S
- NP 534 TR-E 3S
- S 474 L

1

2

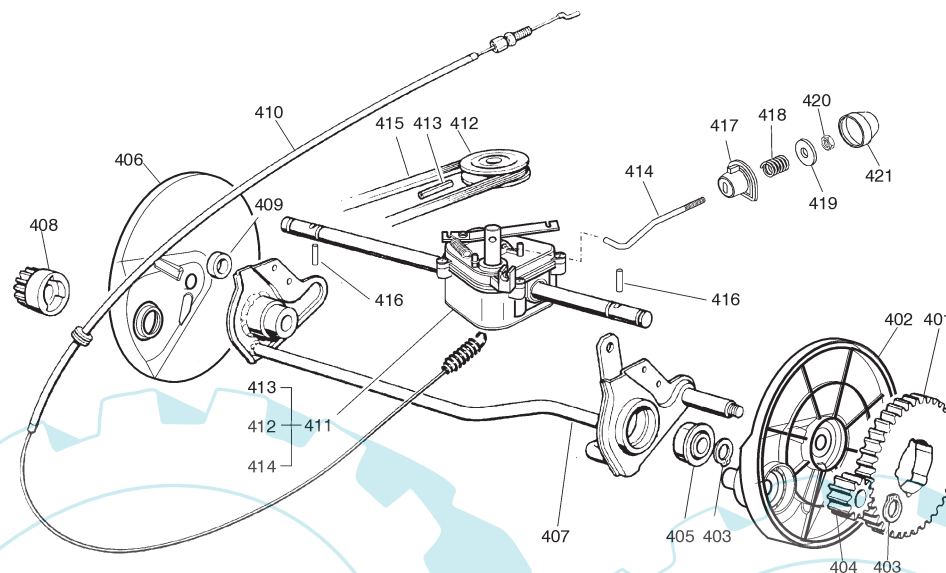
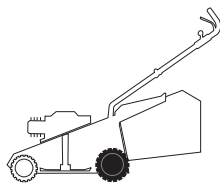
3

4

5

6

## 3



03D.001

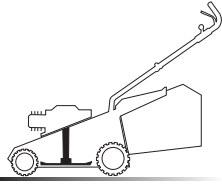
03T.006

| Pos | Code        | Q.ty | Descrizione                 | Description             | Description                 | Beschreibung               |
|-----|-------------|------|-----------------------------|-------------------------|-----------------------------|----------------------------|
| 401 | 22120105/ 1 | 2    | CORONA                      | RING GEAR               | COURONNE                    | KRANZ                      |
| 402 | 22600093/ 0 | 1    | PROTEZIONE RUOTE SINISTRA   | PROTECTION, LEFT WHEEL  | PROTECTION ROUE GAUCHE      | SCHÜTZ, RÄDER LINKES       |
| 403 | 12608600/ 0 | 4    | SEEGER                      | SEEGER                  | SEEGER                      | SEEGER                     |
| 404 | 22570120/ 1 | 1    | PIGNONE SINISTRO            | PINION LEFT             | PIGNON GAUCHE               | RITZEL LINKES              |
| 405 | 19216035/ 0 | 2    | CUSCINETTO                  | BEARING                 | COUSSINET                   | LAGER                      |
| 406 | 22600092/ 0 | 1    | PROTEZIONE RUOTE DESTRA     | PROTECTION, RIGHT WHEEL | PROTECTION ROUE DROITE      | SCHÜTZ, RÄDER RECHTES      |
| 407 | 81000147/ 0 | 1    | ASSE RUOTE POSTERIORE       | AXLE, REAR WHEELS       | AXE ROUES ARRIERE           | ACHSE, HINTERRAD           |
| 408 | 22570110/ 1 | 1    | PIGNONE DESTRO              | PINION RIGHT            | PIGNON DROITE               | RITZEL RECHTES             |
| 409 | 22170800/ 0 | 1    | DISTANZIALE                 | SPACER                  | ENTRETOISE                  | DISTANZRING                |
| 410 | 81001143/ 0 | 1    | CAVO COMANDO TRAZIONE       | CABLE, REAR DRIVE       | CÂBLE, COMMANDE TRACTION    | KABEL, ANTRIEB             |
| 411 | 81003059/ 0 | 1    | GRUPPO TRAZIONE (PLASTICA)  | GEAR BOX (PLASTIC)      | GROUPE TRACTION (PLASTIQUE) | ANTRIEB (KUNSTSTOFF)       |
| -   | 81003060/ 1 | 1    | GRUPPO TRAZIONE (ALLUMINIO) | GEAR BOX (ALUMINIUM)    | GROUPE TRACTION (ALUMINIUM) | ANTRIEB (ALUMINIUM)        |
| 412 | 22601904/ 0 | 1    | PULEGGIA                    | PULLEY                  | POULIE                      | RIEMENSCHLEIBE 4 KM/ H     |
| 413 | 12645705/ 0 | 1    | SPINA                       | PIN                     | GOUPILLE                    | STIFT                      |
| 414 | 22033280/ 0 | 1    | ASTA REGOLAZIONE            | ADJUSTMENT ROD          | TIGE REGLAGE                | VERSTELLUNGSTANGE          |
| 415 | 35063800/ 0 | 1    | CINGHIA Z 27                | BELT Z 27               | COURROIE Z 27               | RIEMEN Z 27 TDL 484 TR     |
| -   | 35063800/ 0 | 1    | CINGHIA Z 27                | BELT Z 27               | COURROIE Z 27               | RIEMEN Z 27 TDL 484 TR-E   |
| -   | 35063902/ 0 | 1    | CINGHIA Z 29.5              | BELT Z 29.5             | COURROIE Z 29.5             | RIEMEN Z 29.5 TDL 534 TR   |
| -   | 35063902/ 0 | 1    | CINGHIA Z 29.5              | BELT Z 29.5             | COURROIE Z 29.5             | RIEMEN Z 29.5 TDL 534 TR-E |
| 416 | 22753000/ 0 | 2    | SPINA                       | PIN                     | GOUPILLE                    | STIFT                      |
| 417 | 22041957/ 0 | 1    | BUSSOLA                     | BUSH                    | DOUILLE                     | BUCHSE                     |
| 418 | 22450063/ 0 | 1    | MOLLA                       | SPRING                  | RESSORT                     | FEDER                      |
| 419 | 22680009/ 0 | 1    | RONDELLA                    | WASHER                  | RONDELLE                    | SCHEIBE                    |
| 420 | 12154510/ 0 | 1    | DADO                        | NUT                     | ECROU                       | MUTTER                     |
| 421 | 22110230/ 0 | 1    | TAPPO                       | CAP                     | BOUCHON                     | GUMMISTOPFEN               |

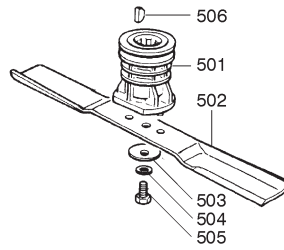
- H 350
- K 350
- K 390
- C 350
- C 390
- NG 410 / 410 S
- NG 460
- NG 414
- NG 464
- NG 464 TR
- NG 464 TR-E
- NG 504
- NG 504 TR
- NG 504 TR-E
- R 430 / 430 S
- R 480
- R 430 TR
- R 434
- R 484
- R 534
- R 484 TR / TR-E
- R 534 TR / TR-E
- RL 430 / 430 S
- RL 480
- RL 430 TR
- RL 434
- RL 484
- RL 534
- RL 484 TR
- RL 484 TR-E
- RL 534 TR
- RL 534 TR-E
- TD 430 / 430 S
- TD 480
- TD 430 TR
- TD 434
- TD 484
- TD 534
- TD 484 TR
- TD 484 TR-E
- TD 534 TR
- TD 534 TR-E
- TDL 430 / 430 S
- TDL 480
- TDL 430 TR
- TDL 434
- TDL 484
- TDL 534
- TDL 484 TR
- TDL 484 TR-E
- TDL 534 TR
- TDL 534 TR-E
- CA 430
- CA 480
- CA 434
- CA 484
- CA 534
- CA 430 TR
- CA 434 TR
- CA 484 TR / TR-E
- CA 534 TR / TR-E
- CAL 430
- CAL 480
- CAL 434
- CAL 484
- CAL 534
- CAL 430 TR
- CAL 434 TR
- CAL 484 TR / TR-E
- CAL 534 TR / TR-E
- T 430 / 430 S
- T 480
- T 434
- T 484
- T 484 TR
- T 484 TR-E
- PAN 504
- PAN 504 TR
- PAN 504 TR-E
- PAN 504 TR-E 3S
- PAN 504 TR 3S
- NP 534
- NP 534 TR
- NP 534 TR-E
- NP 534 TR 3S
- NP 534 TR-E 3S
- S 474 L



# 5



05D.003



05T.008

| Pos | Code       | Q.ty | Descrizione        | Description     | Description        | Beschreibung       |       |
|-----|------------|------|--------------------|-----------------|--------------------|--------------------|-------|
| 501 | 22465607/0 | 1    | MOZZO CON PULEGGIA | HUB WITH PULLEY | MOYEU AVEC POULIE  | NABE MIT SCHEIBE   |       |
| 502 | 81004346/2 | 1    | COLTELLO STANDARD  | BLADE STANDARD  | LAME STANDARD      | MESSER STANDARD    | 46 cm |
| 502 | 81004397/0 | 1    | COLTELLO ALETTATO  | BLADE WINGED    | LAME AILETTÉE      | MESSER FLÜGEL      | 46 cm |
| 502 | 81004381/0 | 1    | COLTELLO STANDARD  | BLADE STANDARD  | LAME STANDARD      | MESSER STANDARD    | 51 cm |
| 502 | 81004398/0 | 1    | COLTELLO ALETTATO  | BLADE WINGED    | LAME AILETTÉE      | MESSER FLÜGEL      | 51 cm |
| 503 | 22160400/0 | 1    | DISCO ELASTICO     | ELASTIC WASHER  | RONDELLE ELASTIQUE | ELASTISCHE SCHEIBE |       |
| 504 | 12523080/0 | 1    | RONDELLA           | WASHER          | RONDELLE           | SCHEIBE            |       |
| 505 | 12735698/0 | 1    | VITE               | SCREW           | VIS                | SCHRAUBE           |       |
| 506 | 12139100/0 | 1    | LINGUETTA          | FEATHER         | CLAVETTE           | KEIL               |       |

- H 350
- K 350
- K 390
- C 350
- C 390
- NG 410 / 410 S
- NG 460
- NG 414
- NG 464
- NG 464 TR
- NG 464 TR-E
- NG 504
- NG 504 TR
- NG 504 TR-E
- R 430 / 430 S
- R 480
- R 430 TR
- R 434
- R 484
- R 534
- R 484 TR / TR-E
- R 534 TR / TR-E
- RL 430 / 430 S
- RL 480
- RL 430 TR
- RL 434
- RL 484
- RL 534
- RL 484 TR
- RL 484 TR-E
- RL 534 TR
- RL 534 TR-E
- TD 430 / 430 S
- TD 480
- TD 430 TR
- TD 434
- TD 484
- TD 534
- TD 484 TR
- TD 484 TR-E
- TD 534 TR
- TD 534 TR-E
- TDL 430 / 430 S
- TDL 480
- TDL 430 TR
- TDL 434
- TDL 484
- TDL 534
- TDL 484 TR
- TDL 484 TR-E
- TDL 534 TR
- TDL 534 TR-E
- CA 430
- CA 480
- CA 434
- CA 484
- CA 534
- CA 430 TR
- CA 434 TR
- CA 484 TR / TR-E
- CA 534 TR / TR-E
- CAL 430
- CAL 480
- CAL 434
- CAL 484
- CAL 534
- CAL 430 TR
- CAL 434 TR
- CAL 484 TR / TR-E
- CAL 534 TR / TR-E
- T 430 / 430 S
- T 480
- T 434
- T 484
- T 484 TR
- T 484 TR-E
- PAN 504
- PAN 504 TR
- PAN 504 TR-E
- PAN 504 TR-E 3S
- PAN 504 TR 3S
- NP 534
- NP 534 TR
- NP 534 TR-E
- NP 534 TR 3S
- NP 534 TR-E 3S
- S 474 L

1

2

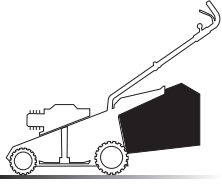
3

4

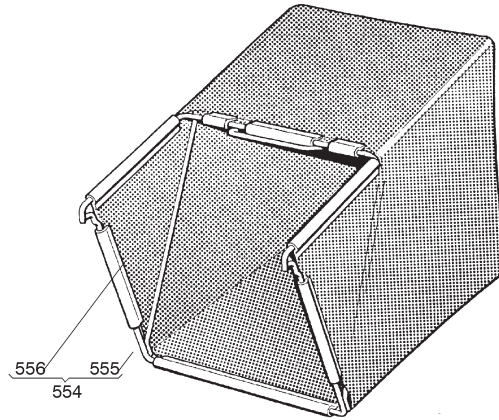
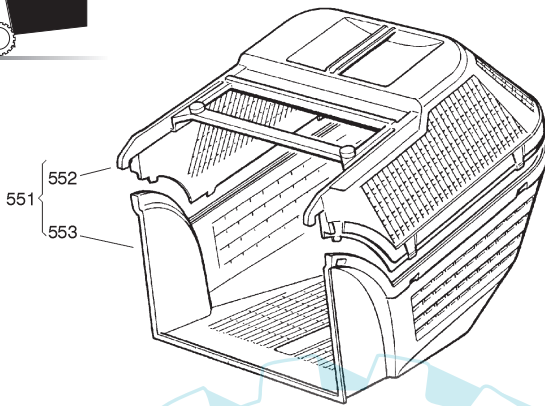
5

6

# 6



06D.002



06T.002

| Pos | Code        | Q.ty | Descrizione             | Description                    | Description            | Beschreibung    |
|-----|-------------|------|-------------------------|--------------------------------|------------------------|-----------------|
| 551 | 94004000/ 1 | 1    | SACCO COMPLETO          | GRASS-BOX, COMPLETE            | BAC COMPLET            | KORB, KOMPLETTE |
| 552 | 22486073/ 0 | 1    | SACCO, PARTE SUPERIORE  | GRASS-BOX, UPPER PART          | SAC, PARTIE SUPERIEURE | KORB, OBERTEIL  |
| 553 | 22486074/ 0 | 1    | SACCO, PARTE INFERIORE  | GRASS-BOX, LOWER PART          | SAC, PARTIE INFERIEURE | KORB, UNTERTEIL |
| 554 | 94005000/ 0 | 1    | SACCO IN TELA, COMPLETO | GRASSCATCHER, CANVASS COMPLETE | SAC EN TOILE, COMPLETE | SACK, KOMPLETTE |
| 555 | 81006418/ 0 | 1    | TELAIO SACCO            | CHASSIS BOX                    | CHÂSSIS BAC            | RAHMEN SACK     |
| 556 | 81002105/ 2 | 1    | SACCO, TELA             | BOX, FABRIC                    | SAC, TOILE             | SACK, TUCK      |

- H 350
- K 350
- K 390
- C 350
- C 390
- NG 410 / 410 S
- NG 460
- NG 414
- NG 464
- NG 464 TR
- NG 464 TR-E
- NG 504
- NG 504 TR
- NG 504 TR-E
- R 430 / 430 S
- R 480
- R 430 TR
- R 434
- R 484
- R 534
- R 484 TR / TR-E
- R 534 TR / TR-E
- RL 430 / 430 S
- RL 480
- RL 430 TR
- RL 434
- RL 484
- RL 534
- RL 484 TR
- RL 484 TR-E
- RL 534 TR
- RL 534 TR-E
- TD 430 / 430 S
- TD 480
- TD 430 TR
- TD 434
- TD 484
- TD 534
- TD 484 TR
- TD 484 TR-E
- TD 534 TR
- TD 534 TR-E
- TDL 430 / 430 S
- TDL 480
- TDL 430 TR
- TDL 434
- TDL 484
- TDL 534
- TDL 484 TR
- TDL 484 TR-E
- TDL 534 TR
- TDL 534 TR-E
- CA 430
- CA 480
- CA 434
- CA 484
- CA 534
- CA 430 TR
- CA 434 TR
- CA 484 TR / TR-E
- CA 534 TR / TR-E
- CAL 430
- CAL 480
- CAL 434
- CAL 484
- CAL 534
- CAL 430 TR
- CAL 434 TR
- CAL 484 TR / TR-E
- CAL 534 TR / TR-E
- T 430 / 430 S
- T 480
- T 434
- T 484
- T 484 TR
- T 484 TR-E
- PAN 504
- PAN 504 TR
- PAN 504 TR-E
- PAN 504 TR-E 3S
- PAN 504 TR 3S
- NP 534
- NP 534 TR
- NP 534 TR-E
- NP 534 TR 3S
- NP 534 TR-E 3S
- S 474 L

1

2

3

4

5

6